

SUBMERSIBLE POND PUMP

Model Number: **DYNAPOND 7000, 8000 & 15000**

DEPEND ON
DAVEY

WATER PRODUCTS

POND PUMP

PRODUCT DESCRIPTION

Submersible pond pumps with adjustable inlet strainer. Designed for continuous operation - 24 hours a day, 7 days week.

APPLICATIONS

- Fountains
- Pond recirculation
- Waterfalls and other water features
- Koi & fish ponds
- Freshwater aquaculture
- Dynapond 8000 sea water model now standard



FEATURES & BENEFITS

Open impeller, centrifugal pump with adjustable strainer

- Pump can pass small soft solids in the water without blockage

Can be operated horizontally or vertically

- Easy to install
- Easy to conceal

Suction strainer easy to remove for cleaning

- Easy maintenance
- Efficient operation

Made from corrosion resistant materials

- Long service life

No oil in motor or seal

- Safe for fish ponds

Suitable for continuous operation

- No need to shut off water features to allow pump to rest or cool

Partial double case design to discharge water past the motor shell

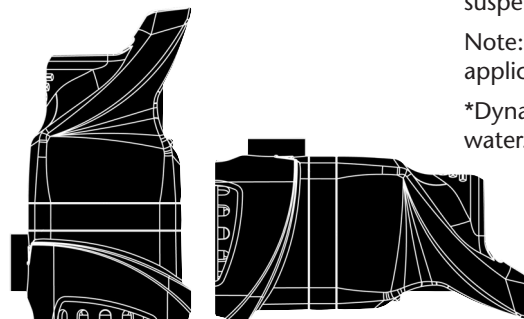
- Improved motor cooling
- Longer life in continuous operation

Automatic resetting motor overload

- Helps protect the pump in the even of a blockage or jam

Organic green UV resistant thermo plastic casing

- Makes it easier to hide in the pond
- Maintains it's quality appearance longer



OPERATING LIMITS

Model	7000	8000	15000
Capacities to (lpm)	110	140	250
Maximum total head (m)	5.5	7.0	9.0
Maximum submergence (m)		3	
Max. water temperature		35°C	
Outlet size		1 1/4" BSP(F)	
Strainer adjustment		5mm (min) 10mm (max)	

Suitable Fluids:

Clean pond water of neutral pH* containing up to 1% (<10mm OD) small soft organic solids (some wear should be expected while pumping hard solids in suspension).

Note: Suitable for fully submerged applications only.

*Dynapond 8000 suited to clear sea water.

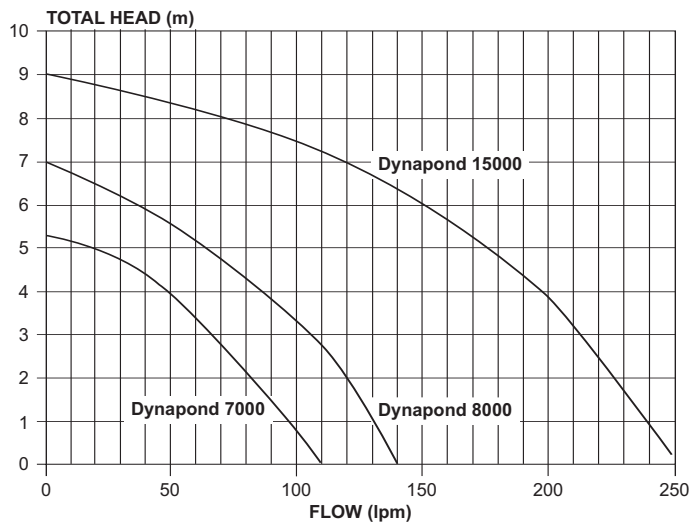
TECHNICAL SPECIFICATIONS

MATERIALS OF CONSTRUCTION

PART	MATERIAL
Impeller	Glass filled noryl
Suction strainer	Glass filled polypropylene
Outer casing	Glass filled polypropylene
Pump casing	Glass filled polypropylene
Shaft seal	V rubber & ceramic
Shaft seal elastomer	Nitrile rubber
Pump shaft	416 stainless steel*
Orings	Nitrile rubber
Motor shell	304 stainless steel*
Fasteners	A2 (304) stainless steel*
Power supply leads	HO7RN-F oil resistant

*Note: Dynapond 8000 has 316 stainless steel components for use in sea water.

HYDRAULIC PERFORMANCE



ELECTRICAL DATA

Model	7000	8000	15000
Electrical lead length	5m		
Phase	Single		
Supply voltage	220-240		
Supply frequency	50Hz		
Full load current	0.8A	1.3A	3.8A
Input power (P ₁)	200w	280w	750w
Insulation class	Class F		
Speed	2 pole, 2950rpm		
Motor starting	P.S.C.		

INSTALLATION & PRIMING

For deep ponds use a rope to position and retrieve the pump. Never lower or retrieve the pump using the power lead as this may damage the cable entry seals, causing water leaks and unsafe operation.

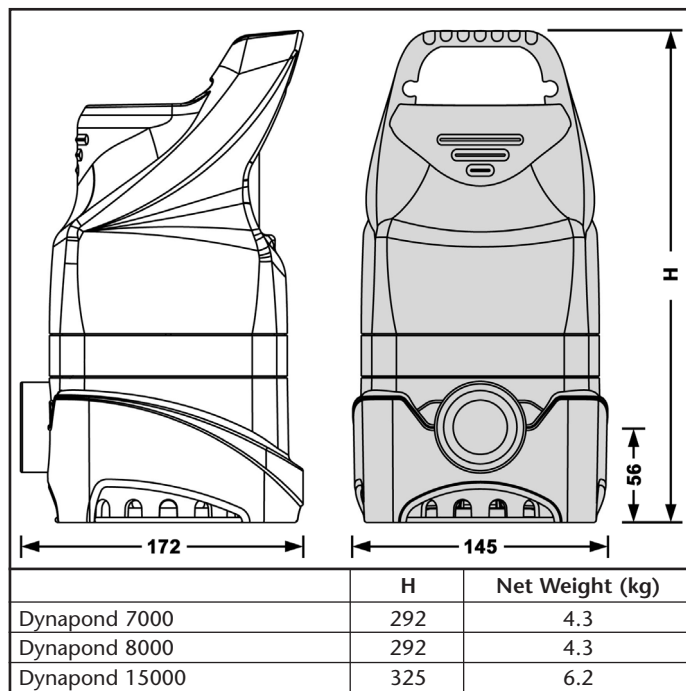
Don't use this product for recirculating or filtering swimming pools, spas, etc. While these pumps are built to high safety standards, they are not approved for installations where people will be in the water while they are operating.

Don't pump abrasive materials. Sand and grit in the water being pumped will accelerate wear, causing shortened pump life.

Keep your pump clean, particularly in situations where fibrous materials may get bound around the pump shaft. Regular inspection and cleaning will extend pump life.

Don't run your pump dry. Dynapond models must be switched off manually or by way of an external float/level switch when the water level is reduced to the top of the pump housing.

DIMENSIONS



All dimensions in mm unless otherwise stated.



Davey Water Products Pty Ltd

Member of the GUD Group
ABN 18 066 327 517

AUSTRALIA
Head Office and Manufacturing
 6 Lakeview Drive,
 Scoresby, Australia 3179
 Ph: +61 3 9730 9222
 Fax: +61 3 9753 4100
 Website: davey.com.au

Customer Service Centre
 Ph: 1300 369 100
 Fax: 1300 369 119
 E-mail: sales@davey.com.au

NEW ZEALAND
 7 Rockridge Avenue,
 Penrose, Auckland 1061
 Ph: +64 9 570 9135
 Fax: +64 9 527 7654
 E-mail: sales@daveynz.co.nz
 Website: daveynz.co.nz

Customer Service Centre
 Ph: 0800 654 333

REST OF WORLD
 6 Lakeview Drive,
 Scoresby, Australia 3179
 Ph: +61 3 9730 9121
 Fax: +61 3 9753 4248
 E-mail: export@davey.com.au
 Website: davey.com.au

