

Depend on Davey

**DAVEY**

## APPLICATIONS

Ideal for spa pool applications such as:

- In-ground pools
- Above ground pools
- Large swim spas & plunge pools
- Solar pool heating
- Aquaculture

## WHY CHOOSE THE Davey SureFlo universal multi-fit swimming pool pump?

**Reliable** – Universal, multi-fit and versatile pump that suits multiple applications:

- Constructed of strong corrosion resistant and UV materials for long and reliable working life.
- Heavy duty, totally enclosed motor protects against the elements for long operating life
- Built-in, self-resetting thermal overload protects the motor against damage from over-heating

**High Quality** – Corrosion resistant Noryl impeller for longer lasting trouble free performance.

**Long Lasting** – High performance Viton mechanical seal for long life in pool water.

**High Strength** – 316 stainless steel motor shaft

**High Performance** – Powerful pumping delivering optimum flow rates for rapid pool water turnover.

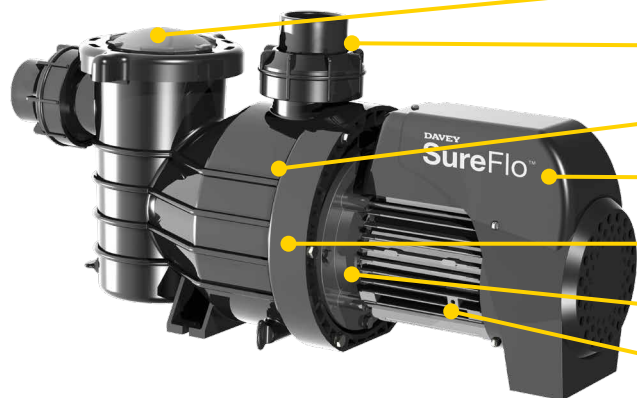
- Fully serviceable, allowing for easy maintenance and repair
- Drain plugs enabling simple water drainage for easy maintenance
- Models to suit pools up to 100,000 litres
- 3m power lead with 10amp Australian three pin plug fitted to all models



DAVEY  
**SureFlo™**

## Swimming Pool Pump

Davey's SureFlo range is specifically designed to circulate swimming pool water for filtration and sanitising applications.

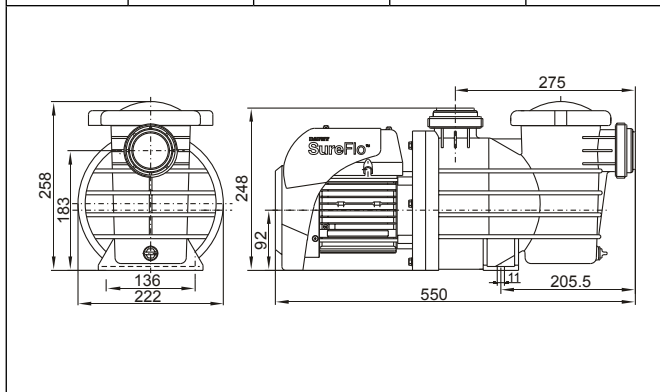
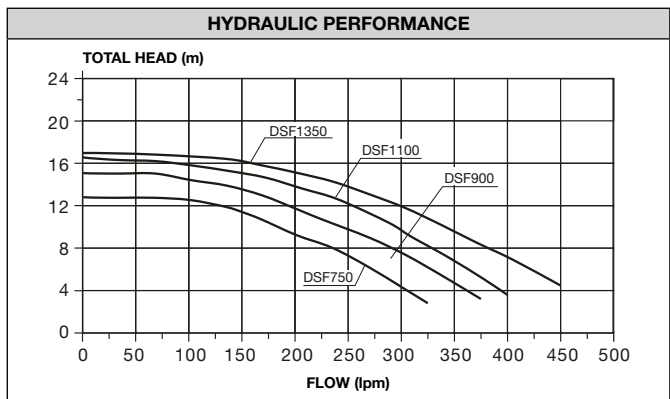


- Easy to remove, see-through strainer lid
- Self-aligning barrel unions for ease of installation
- Corrosion resistant Noryl impeller for longer lasting trouble-free performance
- Self resetting thermal overload protection in the event of the pump overheating
- 316 stainless steel motor shaft won't corrode or rust
- High performance Viton mechanical seal for long life in pool water
- High performance motor with power reserves for extended operating life

ELECTRICAL DATA				
	DSF750	DSF900	DSF1100	DSF1350
Voltage (V)	220-240			
Phase	Single			
Supply frequency	50Hz			
Run current (A)	3.8	4.6	5.8	6.2
Motor input power (W)	750	900	1100	1350
Motor output power (W)	550	650	750	1000
RPM	2900			
Enclosure class (IP)	55			
Insulation class	F			
Approval No.	TUV020457EA			

OPERATING LIMITS	
Maximum water temperature	40°C
Maximum ambient temperature	50°C
dBa @ 1 metre	60 - (DSF750) 62 - (DSF900) 65 - (DSF1100 & 1350)

DIMENSIONS (mm)				
Model	Mounting Holes Dia.	Inlet PVC	Outlet PVC	Net Weight (kg)
DSF750	11	40/50*	40/50*	10.0
DSF900				10.5
DSF1100				11.5
DSF1350				12.0



\* Suction and delivery accept 40mm PVC pipe on the I.D. and 50mm socket on the O.D. (Barrel unions not shown)