

SpeedMaster™ Integral Motor-Drive

Patented
 New Design

Product Release

CMG's new patented design represents the world's first truly integrated Motor-Variable Frequency Drive unit.

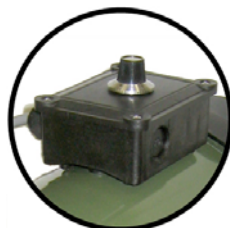
Speedmaster™ Integral Motor



Combining the reliability of a standard 3 phase motor with a 240V AC single phase VVVF drive.

CMG Pty Ltd
www.cmggroup.com.au
 ☎1300 888 853

Sales Offices
 Victoria
 New South Wales
 South Australia
 Western Australia
 Queensland
 North Queensland
 Northern Territory
 Tasmania
 New Zealand
 UK
 South Africa



Simple
 Speed Control



Conventional
 Motor Size



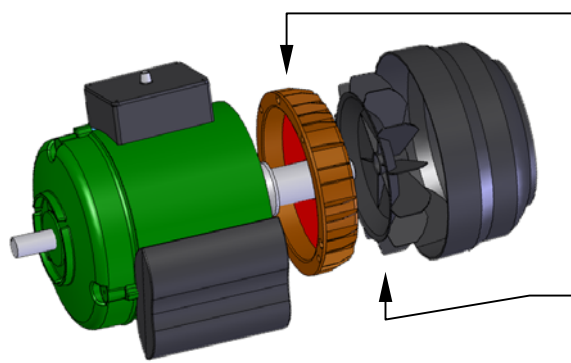
Electrical
 compliance



Single Phase
 Connection

- factory programmed for your application
- internal integrated VVVF drive unit
- IP55 enclosure rating

Electronic Enclosure System



Aluminium shield with PCB Drive in resin Pot

- mechanical protection against vibration/shock
- heat sink function for electronics
- protection against moisture

Cooling Fan

- cools both electronics and motor

Features

Cost Competitive

- component level saving
- installation saving

Easy to Use

- no additional wiring
- no knowledge of programming required
- single phase input power
- simply controlled with a knob
- no external drive

Compact Design

- no bigger than an average motor
- no extra cooling fan
- electronic control integrated into motor body

Standard Enhancements

- speed controller knob
- soft start/stop

Optional Extras

- forward / stop / reverse switch
- fault reset switch
- remote speed controller knob

Customization

- frequency(speed) range : 1-100 Hz
- input voltage : 110/220/240 V
- input frequency : 50/60 Hz
- customised to VF curve requirements
- programmable start / stop ramp time
- fault level response for over voltage, under voltage, over temperature, repetitive faults
- independent cooling fan (for low speed applications)
- non-fan/cowl version for fan applications
- foot/flange motor mount

Standardization

- standard CMG components
- stator assembly
- rotor assembly
- terminal/capacitor box/cowl
- replaceable drive component

Applications

Practical

- fan applications
- pump applications
- conveyor systems
- geared motors
- other

Technical

- constant torque
- variable torque
- constant power

Technical Specs

Output kW & constant torque speed range

- 0.37kW, 20-60Hz, 600-1800 rpm
- 0.75kW, 20-60Hz, 600-1800 rpm
- 1.5kW, 30-60Hz, 900-1800 rpm

Thermal

- winding T.O. trip temp : 150°C
- power module T.O. trip temp : 100°C
- electronics T.O. trip temp : 80°C
- winding insulation class F

Compliance

- C-Tick EMC compliance
- CE

Warranty

- 1 year

Electrical/Electronic

- microcontroller based system
- Open Loop system
- supply power variance
 - voltage variance ±15%,
 - frequency variance ±15%
- protection - over voltage, under voltage, over current, repetitive fault
- transient/flicker resistant
- no drift and offset in performance
- repeatable programmed performance

Enclosure

- IP55

CMG Pty Ltd
www.cmgroup.com.au
 ☎1300 888 853

Sales Offices
 Victoria
 New South Wales
 South Australia
 Western Australia
 Queensland
 North Queensland
 Northern Territory
 Tasmania
 New Zealand
 UK
 South Africa



571 Grand Junction Road Gepps Cross, SA 5094

☎ (08) 8162 5957
 including after hours emergencies

Fax: (08) 8162 5058
info@aemgroup.net.au
www.aemgroup.net.au