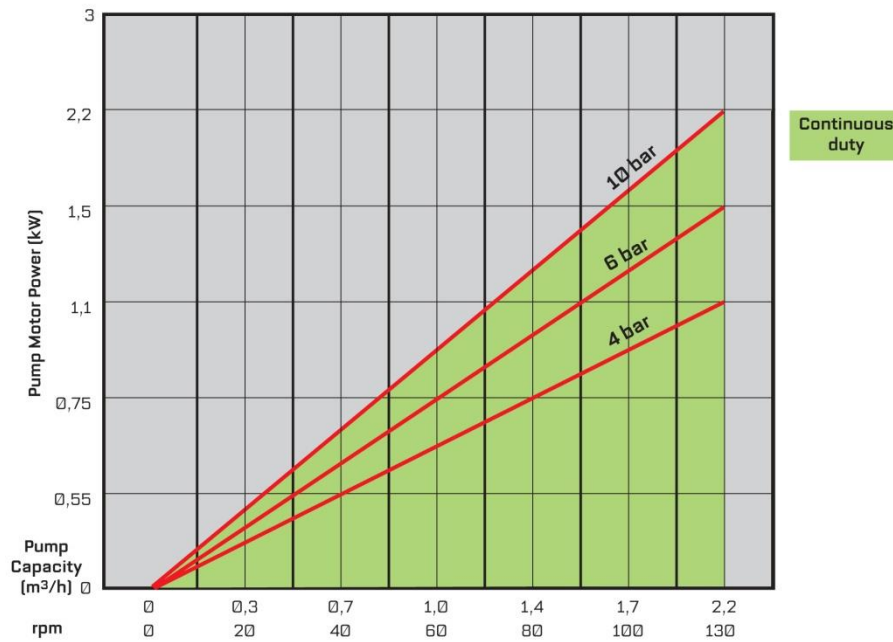


LPP-T25 Hose Pump

TECHNICAL DATA SHEET

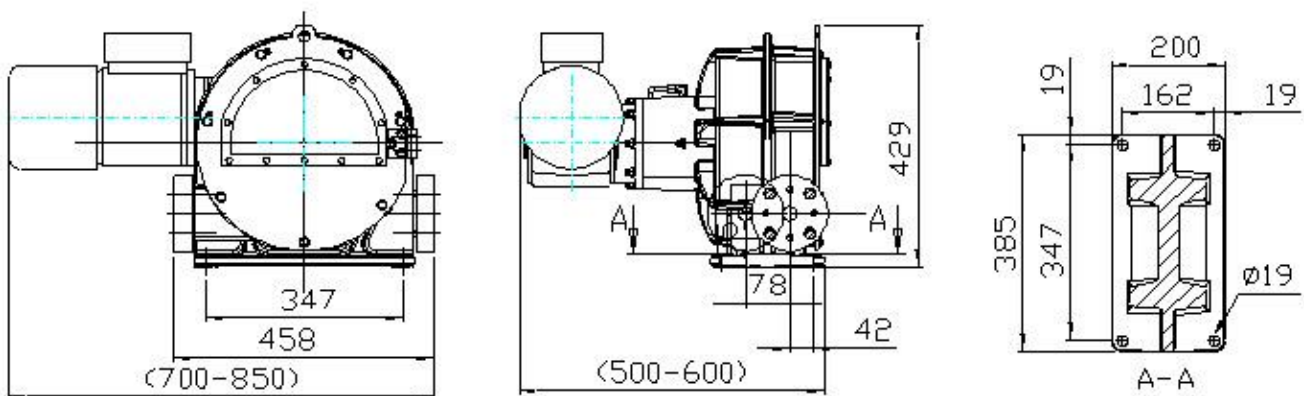
FLOW WITH MAXIMUM PRESSURE

LPP-T25 CAPACITY CHART, CONTINUOUS DUTY, UP TO 95°C
(24 h/day/7 days per week)



Technical Data

- Maximum flow: 2,2m³/h
- Maximum pressure: 10 bar
- Flow/revolution: 0,28l
- Hose bore: 25 mm
- Lubricant volume: 0,8 l
- Weight: ~130 kg
- Motor power: 0,75-2,2 kW



Dimensions (X, Y) vary according to the drive size.

Please consult Flowrox Oy for the exact drive sizing to your application.



FLOWROX PUMP MODEL NUMBERING

| Model | Size (DN) | Drive | Pressure Class (PN) | Connection | Body Material | Drive Control | Auxiliaries |
|------------------------------|--|---|-------------------------------------|---|---------------|---|--|
| LPP-T = Industrial hose pump | 25 32 40 50 65 80 100 (mm) | GM = geared motor GU = gear unit BS = bare shaft pump | 10 = 10 BAR 7.5 = 7.5 BAR (DN80) | 1 = - 2 = flanged DIN PN 10 3 = flanged DIN PN 16 6 = flanged ANSI 150 8 = flanged B.S. TABLE D 9 = other | Ø = FE | II = Integrated inverter (IP66) I = Inverter (IP20) N = None WC = Control unit | T = pressure transmitter with display R = Revolution detector D = Hose leak detector H = Connector hoses K = Connector flange for pressure transmitter F = Forced cooling |

Example: Pump LPP-T40, geared motor, 10 bar, flanges DIN PN 10, with integrated inverter, pressure transmitter with display, hose leak detector

Type marking: LPP-T40GM 10-2-0-II-TD

FLOWROX PUMP HOSE MODEL NUMBERING

| Hose Type | Hose Material | Pressure Class (PN) | Hose Inner Diameter (mm) |
|-------------------------|---|-------------------------------------|---|
| LPP-T = LPP-T pump hose | EPDM = Ethylene propylene NR = Natural rubber NBR = Nitrile NBRF = Nitrile (FDA) | 10 = 10 BAR 7.5 = 7.5 BAR (DN80) | 25 32 40 50 65 80 100 |

Example: LPP-T hose, natural rubber, pressure class 10 bar, hose bore diameter 40 mm

Type marking: LPP-T40-NR10

