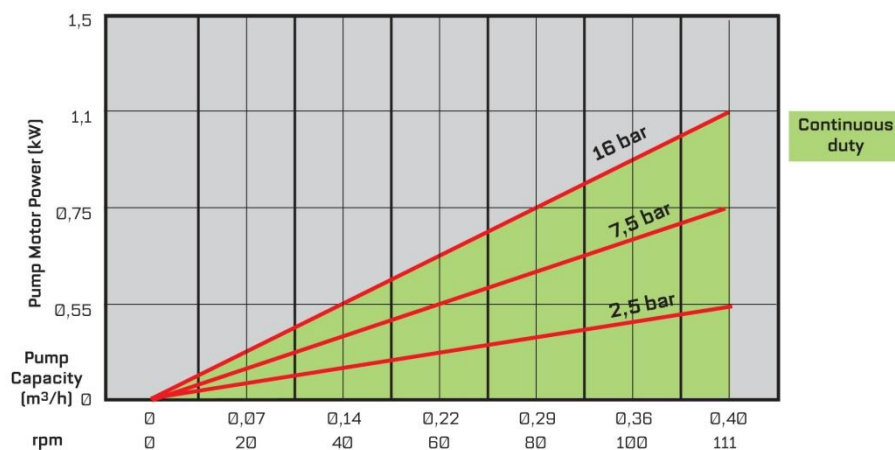


LPP-D10 Hose Pump

TECHNICAL DATA SHEET

FLOW WITH MAXIMUM PRESSURE

LPP-D10 CAPACITY CHART, CONTINUOUS DUTY, UP TO 95°C
[24 h/day/7 days per week]



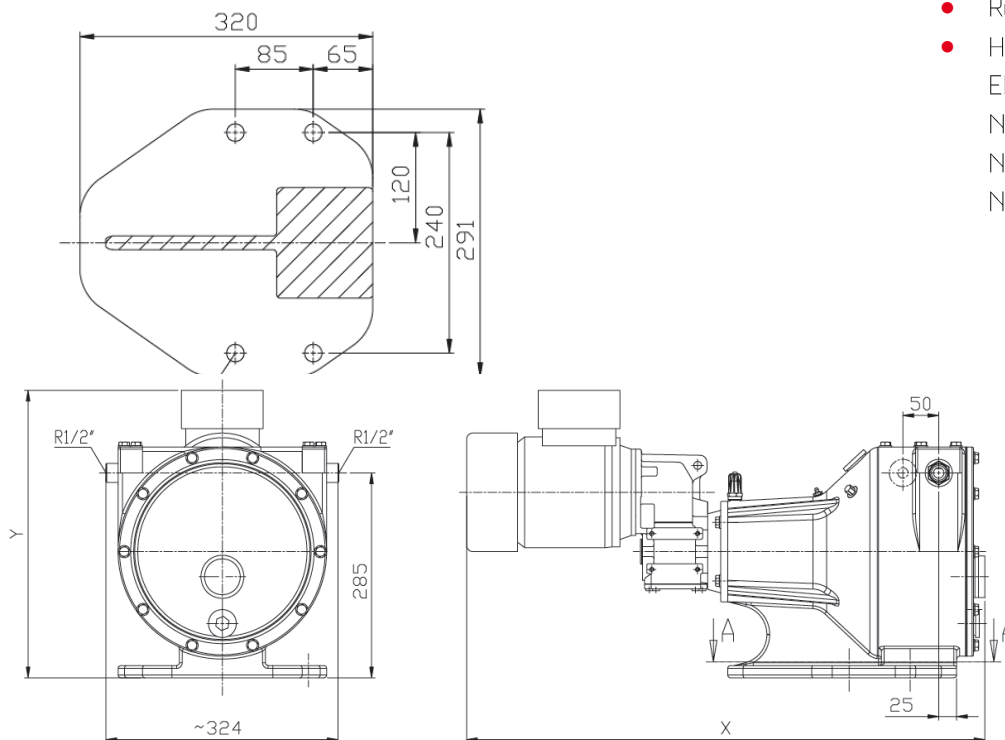
Continuous duty

Technical Data

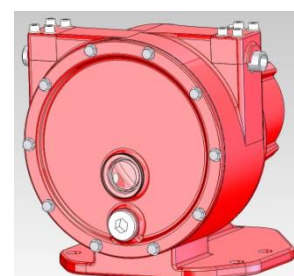
- Maximum flow: 0,4m³/h
- Maximum pressure: 16 bar
- Flow/revolution: 0,06 l
- Hose connection: R 1/2"
- Hose bore: 10 mm
- Lubricant volume: 0,4 l
- Weight: ~47 kg
- Motor power: 0,55-1,1 kW

Construction materials

- Housing: High-strength cast aluminium
- Crank shaft: Carbon steel
- Rotor: PU or black nitrated steel
- Hose materials (colour code):
EPDM (violet)
NR (light blue)
NBR (yellow)
NBRF (white)



Dimensions (X, Y) vary according to the drive size.
Please consult Flowrox Oy for the exact drive sizing to your application.



FLOWROX PUMP MODEL NUMBERING

Model	Size (DN)	Drive	Pressure Class (PN)	Connection	Body Material	Drive Control	Auxiliaries
LPP-D = Dosing pump	10 15 20 25 (mm)	GM = geared motor GU = gear unit BS = bare shaft pump	16 = 16 BAR	R 1/4" R 1/2" R 3/4" R 1" 9 = other	3 = AL	II = Integrated inverter (IP66) I = Inverter (IP20) N = None	R = Revolution detector D = Hose leak detector F = Forced cooling

Example: Pump LPP-D10, geared motor, 16 bar, hose connection R1/2", without inverter, revolution detector

Type marking: LPP-D10GM 16-R1/2"-3-N-R

FLOWROX PUMP HOSE MODEL NUMBERING

Hose Type	Hose Material	Pressure Class (PN)	Hose Inner Diameter (mm)
LPP-D = LPP-D pump hose	EPDM = Ethylene propylene NR = Natural rubber NBR = Nitrile NBRF = Nitrile (FDA)	16 = 16 BAR	10 15 20 25

Example: LPP-D hose, natural rubber, pressure class 16 bar, hose bore diameter 10 mm

Type marking: LPP-D10-NR16