

**HM SERIES STAINLESS STEEL  
Horizontal Multistage Pumps  
Model Numbers: HM60, HM90, HM160 &  
HM270**

DEPEND ON  
**DAVEY**

**WATER PRODUCTS**



**GENERAL TRANSFER  
PUMPS**

**PRODUCT  
DESCRIPTION**

Compact, all stainless steel horizontal multistage centrifugal pump & motor unit.

**APPLICATIONS**

- Specific applications include:-
- Water supply, boosting & transfer
  - Irrigation & turf watering
  - Wash down
  - Emptying/filling reservoirs or tanks
  - Water treatment (demineralisation, filtering etc)
  - Commercial washing equipment

**FEATURES & BENEFITS**

Horizontal multistage centrifugal pump with all hydraulic parts in stainless steel

- Suitable for high water temperatures
- Corrosion & wear resistant

Axial suction & vertical discharge

- Compact design
- Easy to install

Stainless steel impellers with high efficiency impeller profile & thick self-centring impeller neck rings for

- High efficiency
- Reduced power consumption
- Low noise output

Impellers mounted directly on extended shaft

- Maximise performance per stage
- High efficiency
- Long motor & pump life
- Increased wear resistance

Pump casing assembly attached to motor bracket at 8 points with o-ring seal

- Complete stainless casing
- Better sealing
- Longer service life

Davey built, totally enclosed fan cooled (TEFC) electric motor:

- Single-phase motors have built in thermal overload protection with automatic reset and 1.8m long power lead and Australian 3 pin plug
- Sealed and greased for life motor bearings
- Over sized drive bearing
- Longer life
- Easy service
- Economical & quiet running

Automatic control options:

- Davey Torrium®  
Standard pressure switch & gauge  
Multiple pump system
- Versatile system design
  - Simple automatic control
  - Suitable for many applications

**OPERATING LIMITS**

Capacities up to	430lpm (26m <sup>3</sup> /hr)
Pressure heads up to	65m
Max. operating pressure	1000kPa
Max. suction pressure	600kPa
Temperature range	-15° to +105°C
Max. ambient temperature	+50°C

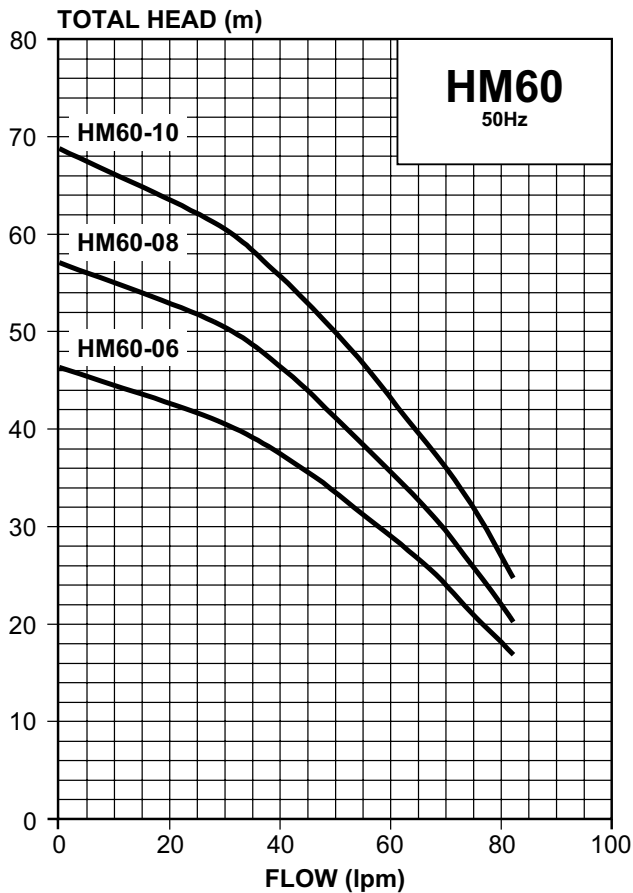
**Suitable fluids**

Clean, clear, non-corrosive, non-flammable liquids with no fibres and little sand/silica or abrasives (maximum concentration 40g/m<sup>3</sup>).

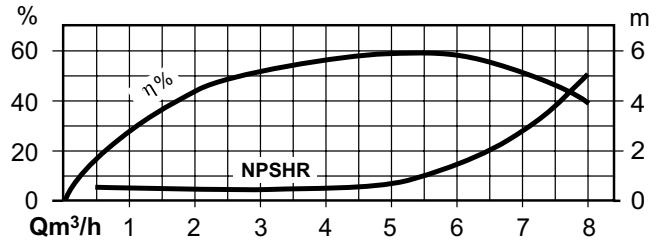
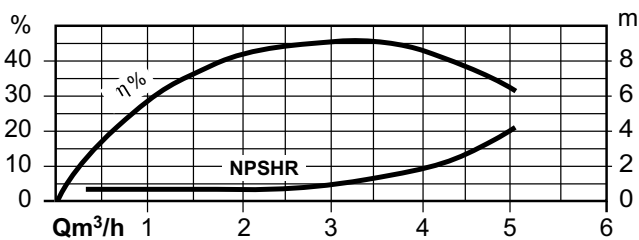
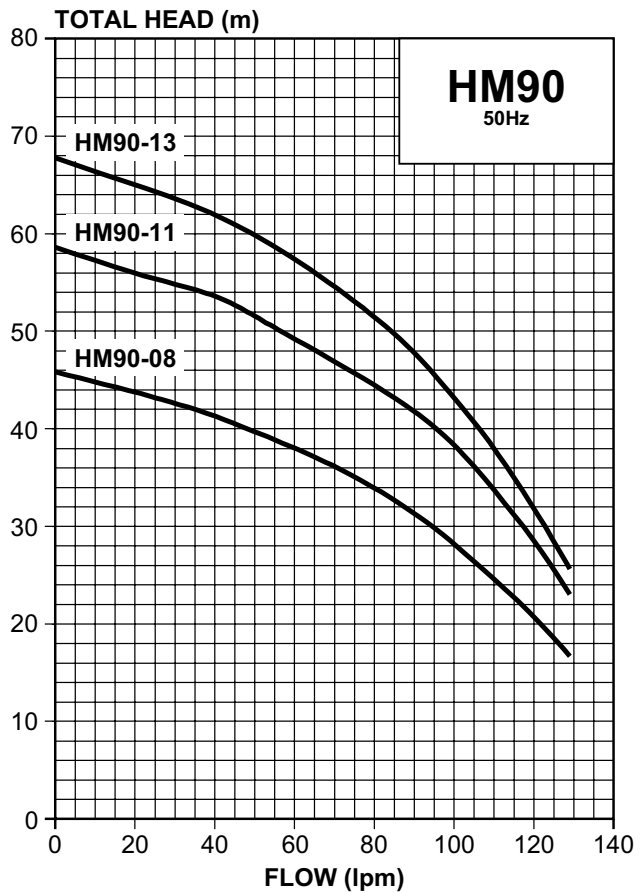


# TECHNICAL SPECIFICATIONS

## HM60 HYDRAULIC PERFORMANCE



## HM90 HYDRAULIC PERFORMANCE

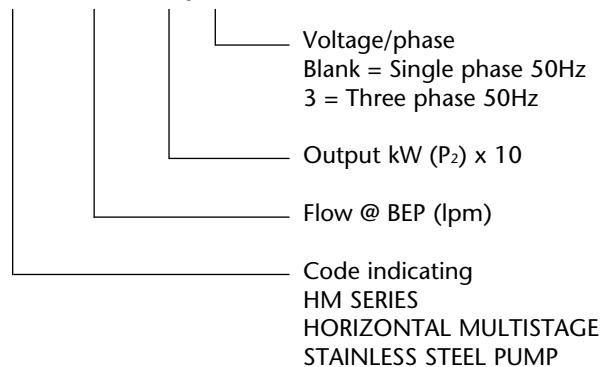


## MATERIALS OF CONSTRUCTION

PART	MATERIAL
Casing	304 stainless steel
Impellers	304 stainless steel
Stages (casing)	304 stainless steel
Pump shaft	316L stainless steel
Stage centring device	304 stainless steel
Mechanical seal	Carbon/ceramic
O-rings	EPDM
Plugs	316L stainless steel
Motor shell & lantern bracket	Aluminium with baked polyester powder coat finish
Motor feet	Xenoy®
Fan cowl / rear foot (models up to 1.05kW)	Polypropylene

## IDENTIFICATION OF THE PUMP

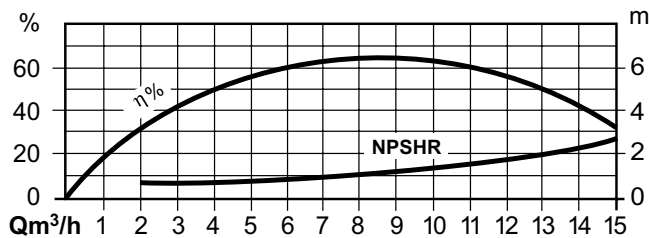
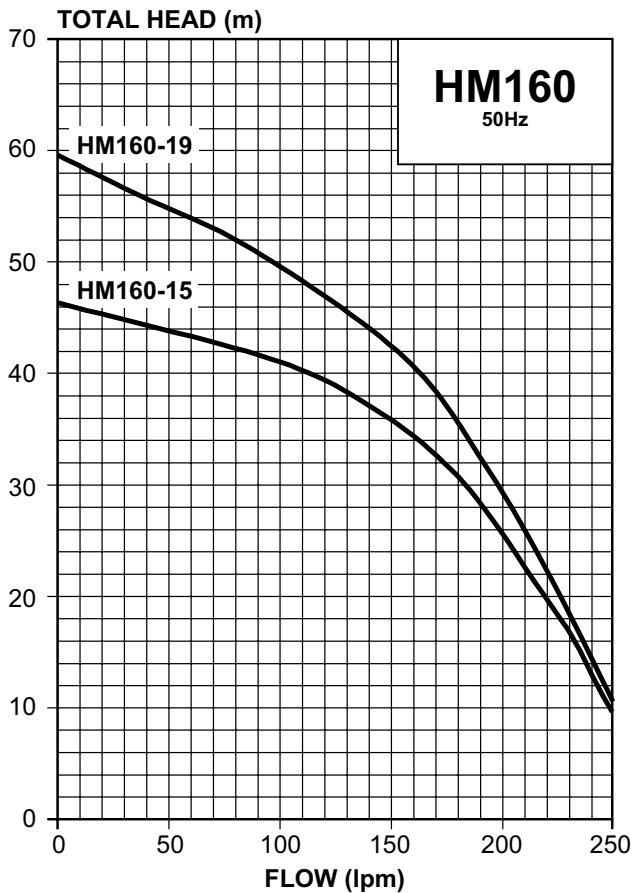
### HM 160-19/3



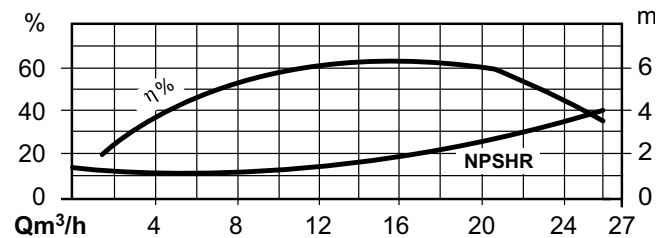
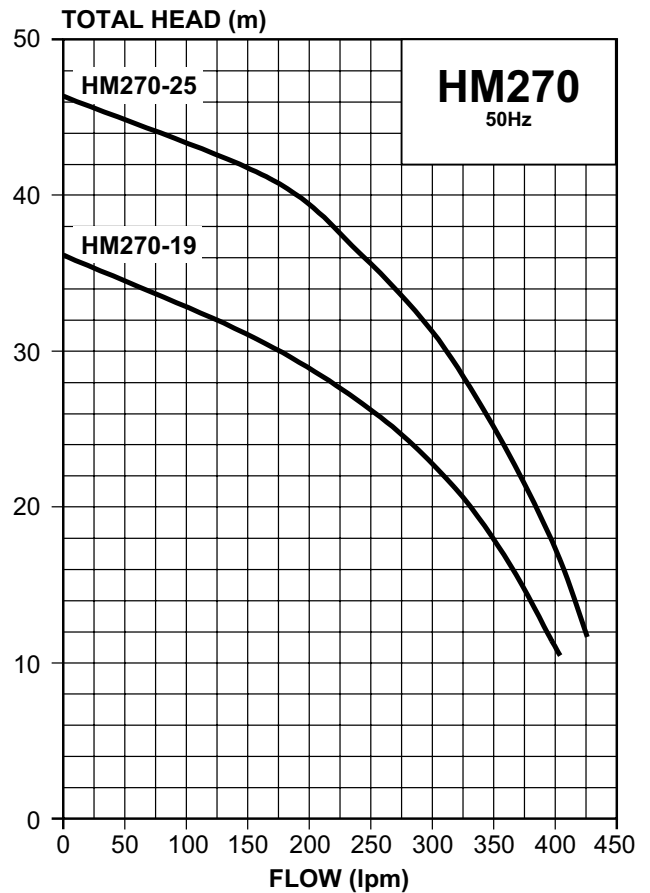
**Note: 304 stainless steel**, (Z6 CN 18.9) and **316L stainless steel** (Z2 CND 17.12) are recommended materials that are highly resistant to corrosion.

# TECHNICAL SPECIFICATIONS

## HM160 HYDRAULIC PERFORMANCE



## HM270 HYDRAULIC PERFORMANCE



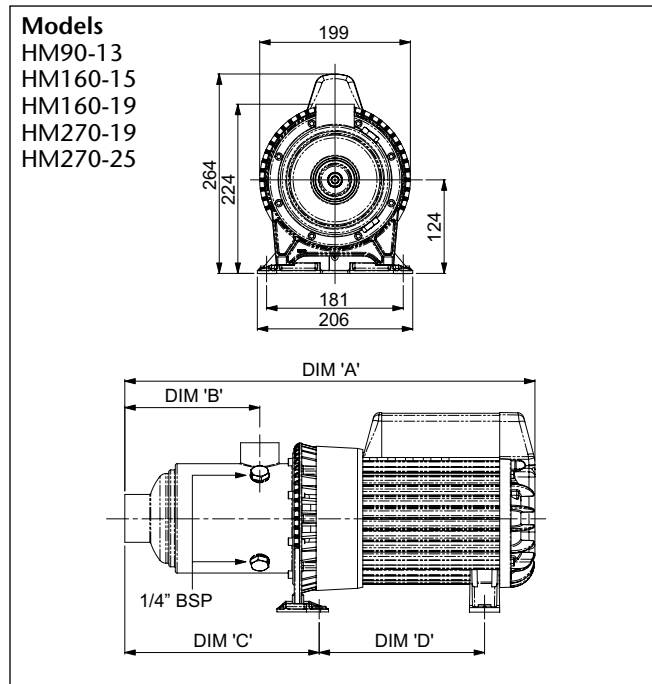
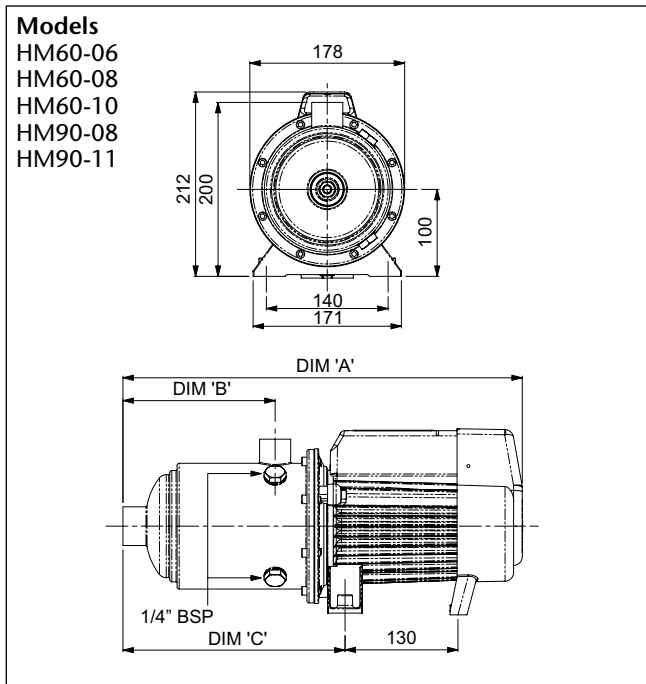
## ELECTRICAL DATA

Speed	2900rpm
Supply voltage	
Single phase	230V ±10%
Three phase*	415V ±10%
Supply frequency	50Hz
Insulation class	Class F
Enclosure class	
HM60-06, HM60-08, HM60-10, HM90-08 & HM90-11	IP55
All other models	IP56

\*Selected models

# TECHNICAL SPECIFICATIONS

## DIMENSIONS



### 240V Single Phase Models

Pump Model	Motor				Ports		Pump Dimensions				Weight kg
	Input P <sub>1</sub> kW	Output P <sub>2</sub> kW	Amps Run	Amps Start	Suction BSP	Discharge BSP	DIM 'A' mm	DIM 'B' mm	DIM 'C' mm	DIM 'D' mm	
HM60-06	0.85	0.58	4	18	1 1/4"	1"	411	127	207	-	11.3
HM60-08	1	0.72	4.5	18	1 1/4"	1"	459	175	255	-	12.2
HM60-10	1.25	0.94	5.9	28	1 1/4"	1"	459	175	255	-	17.0
HM90-08	1.1	0.78	4.9	20	1 1/4"	1"	411	127	207	-	11.7
HM90-11	1.4	1.05	6.5	28	1 1/4"	1"	459	175	255	-	16.4
HM90-13	1.7	1.4	7.2	40	1 1/4"	1"	502	175	247	189	22.2
HM160-15	1.9	1.5	8	40	1 1/2"	1 1/4"	509	178	254	189	21.8
HM160-19	2.3	1.8	9.7	40	1 1/2"	1 1/4"	509	178	254	189	22.1
HM270-19	2.4	1.9	10	40	2"	1 1/2"	512	178	257	189	24.0
HM270-25	3.2	2.5	13.8	66	2"	1 1/2"	562	178	257	239	31.3

### 415V Three Phase Models

Pump Model	Motor				Ports		Pump Dimensions				Weight kg
	Input P <sub>1</sub> kW	Output P <sub>2</sub> kW	Amps Run	Amps Start	Suction BSP	Discharge BSP	DIM 'A' mm	DIM 'B' mm	DIM 'C' mm	DIM 'D' mm	
HM60-06/3	0.75	0.58	1.9	13	1 1/4"	1"	411	127	207	-	11.3
HM60-08/3	0.85	0.72	2.1	13	1 1/4"	1"	459	175	255	-	12.2
HM60-10/3	1.25	0.94	3.2	20	1 1/4"	1"	459	175	255	-	17.0
HM90-08/3	1.1	0.78	2.2	13	1 1/4"	1"	411	127	207	-	11.3
HM90-11/3	1.4	1.05	3.3	20	1 1/4"	1"	459	175	255	-	16.4
HM90-13/3	1.6	1.4	3.1	24	1 1/4"	1"	539	175	247	219	22.2
HM160-15/3	1.8	1.5	3.2	24	1 1/2"	1 1/4"	539	178	254	219	21.8
HM160-19/3	2.1	1.8	3.6	24	1 1/2"	1 1/4"	539	178	254	219	22.1
HM270-19/3	2.3	1.9	3.8	24	2"	1 1/2"	539	178	257	219	24.0
HM270-25/3	2.95	2.5	4.9	30	2"	1 1/2"	582	178	257	259	27.8



### Davey Water Products Pty Ltd

Member of the GUD Group  
**ABN 18 066 327 517**

#### AUSTRALIA

#### Head Office and Manufacturing

6 Lakeview Drive,  
 Scoresby, Australia 3179  
 Ph: +61 3 9730 9222  
 Fax: +61 3 9753 4100  
 Website: davey.com.au

#### Davey Support Centre

Ph: 1300 369 100  
 Fax: 1300 369 119  
 E-mail: sales@davey.com.au

#### NEW ZEALAND

7 Rockridge Avenue,  
 Penrose, Auckland 1061  
 Ph: +64 9 570 9135  
 Fax: +64 9 527 7654  
 E-mail: sales@daveynz.co.nz  
 Website: daveynz.co.nz

#### Davey Support Centre

Ph: 0800 654 333

#### REST OF WORLD

6 Lakeview Drive,  
 Scoresby, Australia 3179  
 Ph: +61 3 9730 9121  
 Fax: +61 3 9753 4248  
 E-mail: export@davey.com.au  
 Website: davey.com.au

